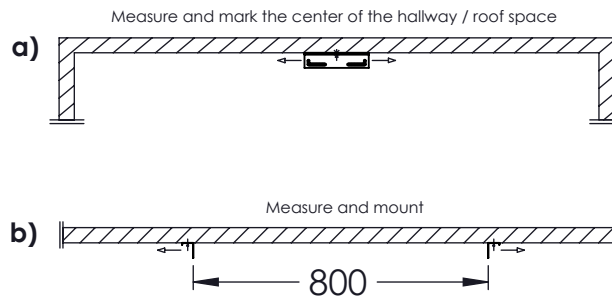
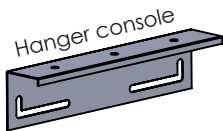
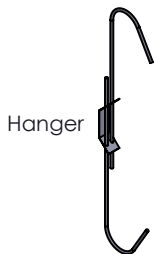


Mounting instructions Lobby Light FT

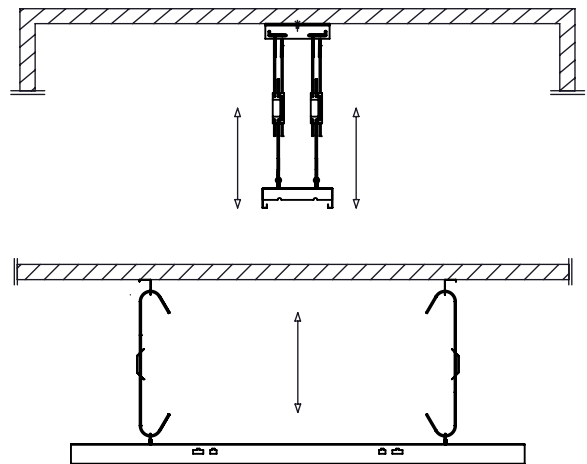
1)



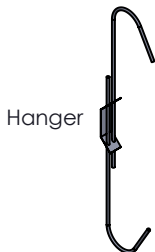
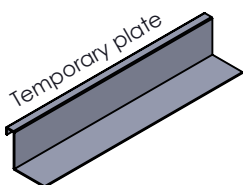
2a) In non-existing ceiling



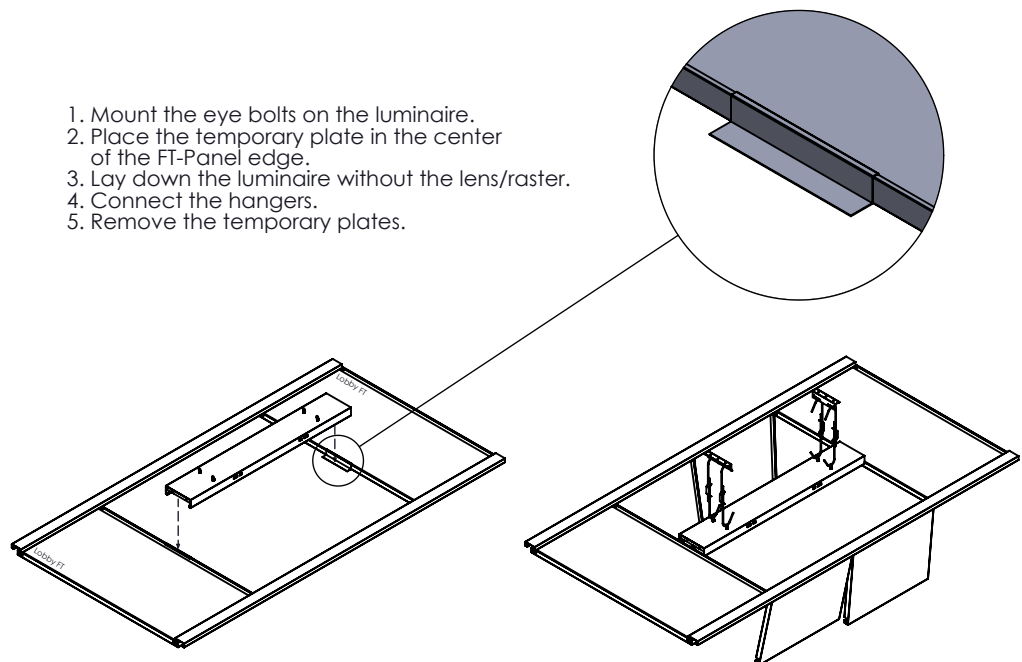
1. Mount the eye bolts on the luminaire.
2. Connect the hangers.
3. Adjust the expected height.



2b) In existing ceiling



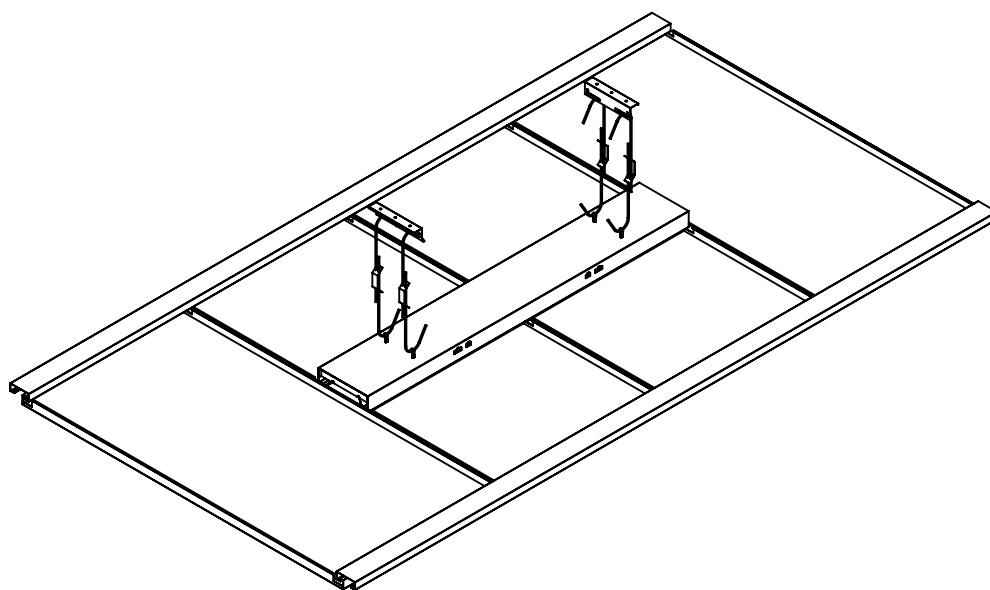
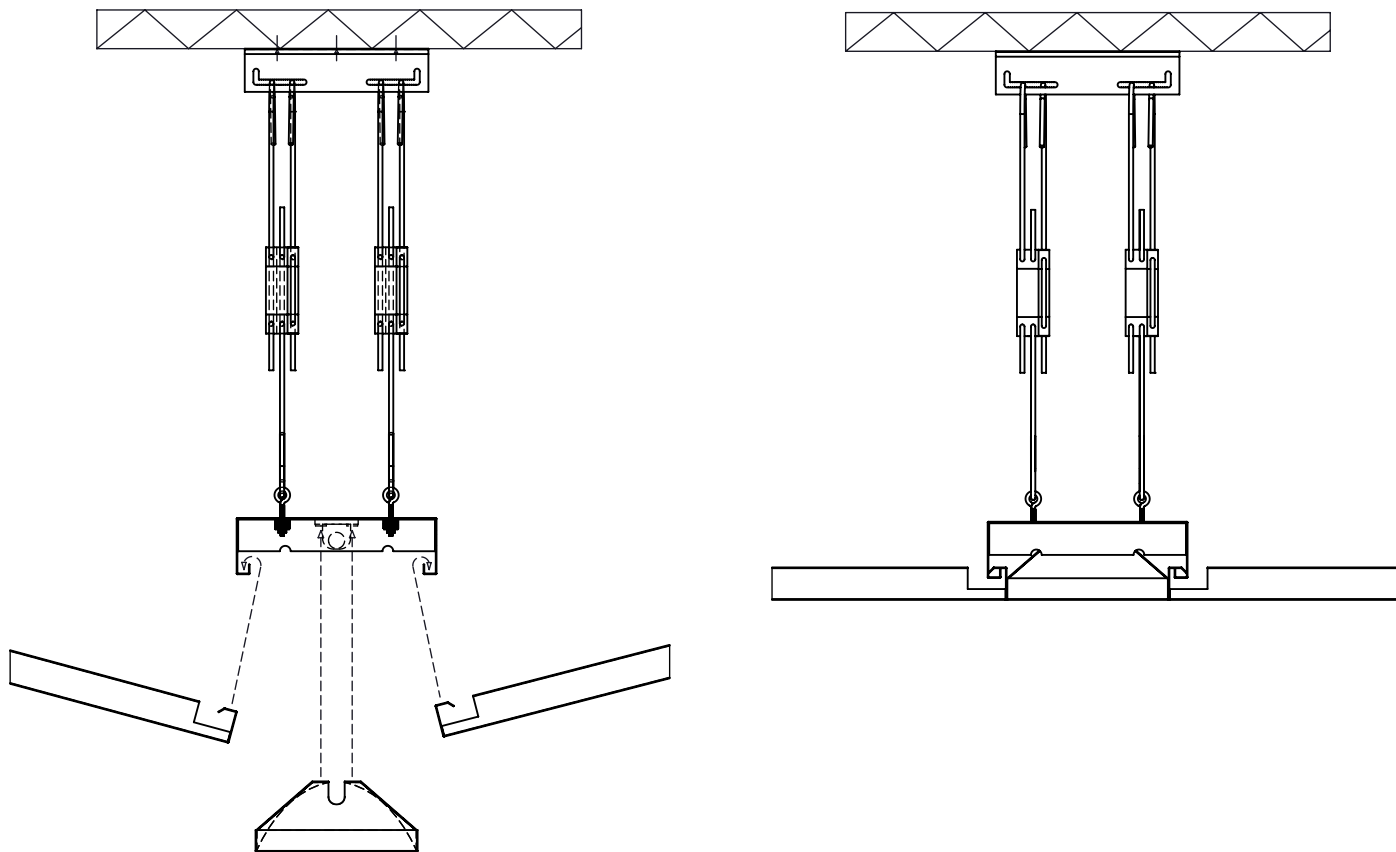
1. Mount the eye bolts on the luminaire.
2. Place the temporary plate in the center of the FT-Panel edge.
3. Lay down the luminaire without the lens/raster.
4. Connect the hangers.
5. Remove the temporary plates.




Continues on next page

Mounting instructions Lobby Light FT

3)



Details on next page 

Mounting instructions Lobby Light FT

DETAILS

