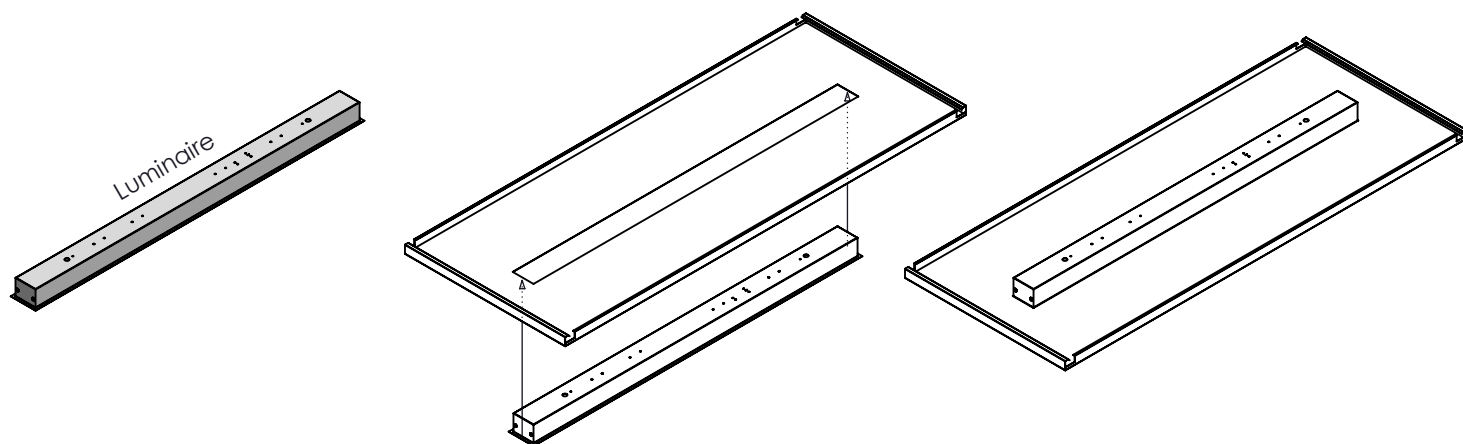


# Mounting instructions Stripe Infälld

1) Mount the luminaire to the panel from below.



2) Connect the consoles to the luminaire and mount with included screws.

