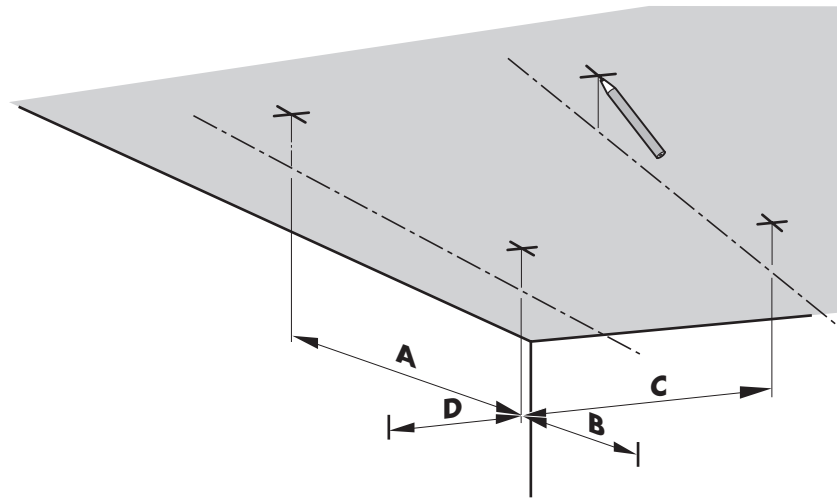


1

Marking suspension points

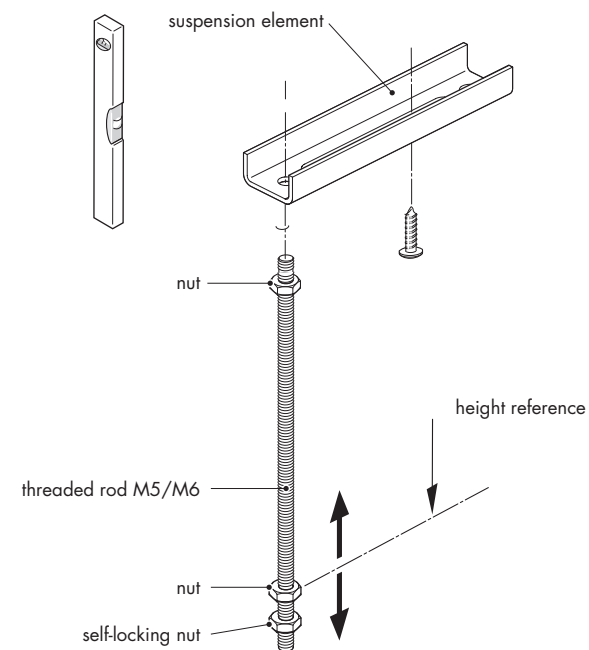


| Panel type | Max. carrier span | | Max. panel span | |
|------------|-------------------|-----|-----------------|-----|
| | A | B | C | D |
| 70U | 750 * | 300 | 1500 * | 150 |

For sporthal applications please consult our technical documentation.

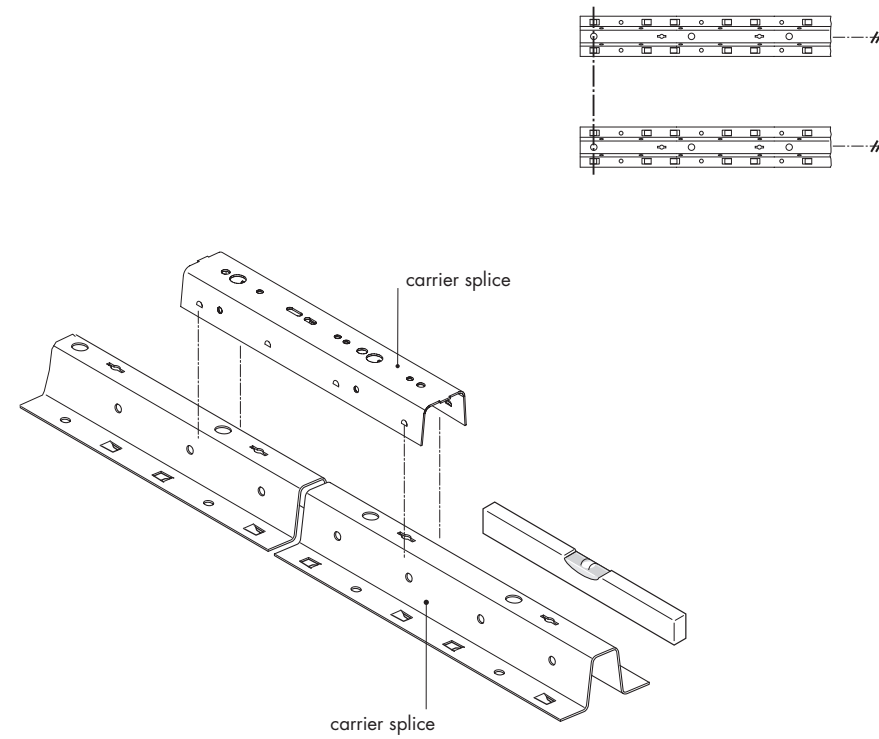
2

Installing the hangers



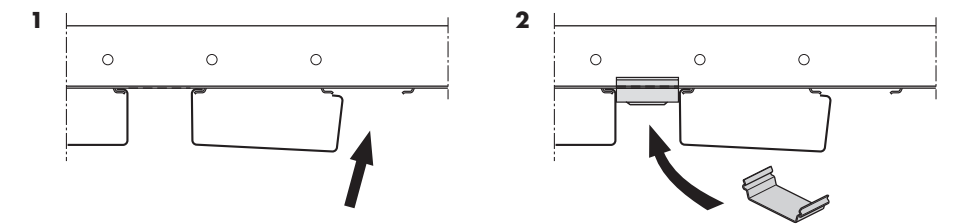
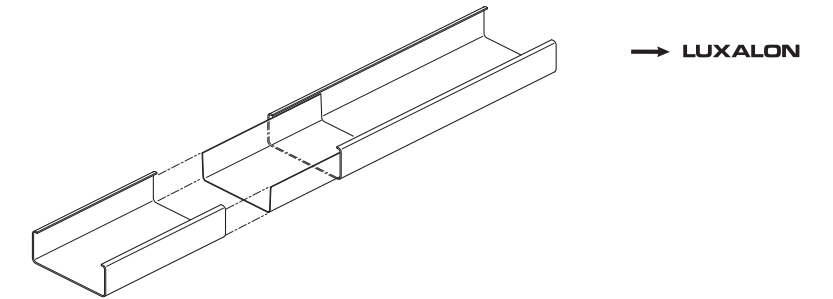
3

Installing the carriers



5

Installing the panels



ATTENTION!

To avoid fingerprints and damages, always wear (white) cotton **gloves** when handling the panels.

Make sure that:

- Cut-outs in the panels for spots and other installations are made before installing the panels.
- The directional arrows on the backside of the panels always point in the same direction.

4

Installing the adaptor panels

