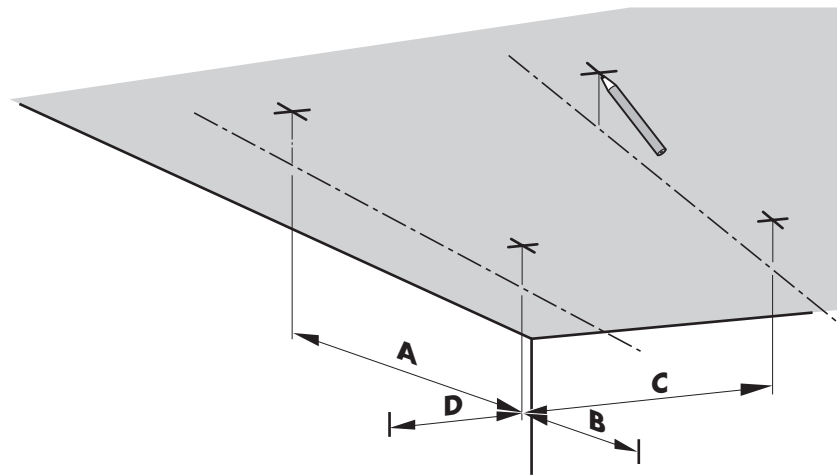


1

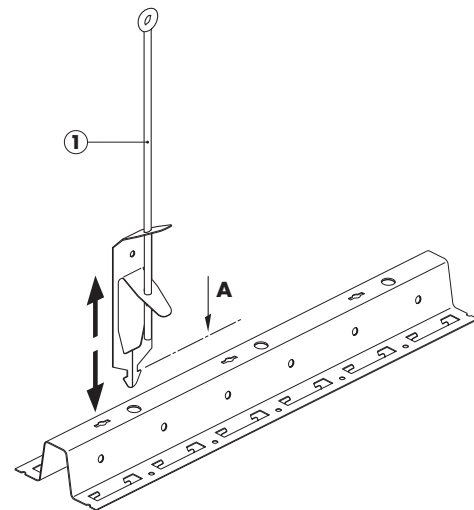
Marking suspension points



Panel type	Max. carrier span		Max. panel span		
	A	B	C 2 fixings / 3 or > fixings	D	
84B	1700	300	1450/1660	150	
84C	1300	300	1600/1800	150	
84R	1700	300	1500/1700	150	
Multipanel	30BD	1700	300	2500/2500	150
	30/80B	1700	300	1550/1850	150
	130B	1700	300	1450/1550	150
	180B	1700	300	1350/1450	150

2

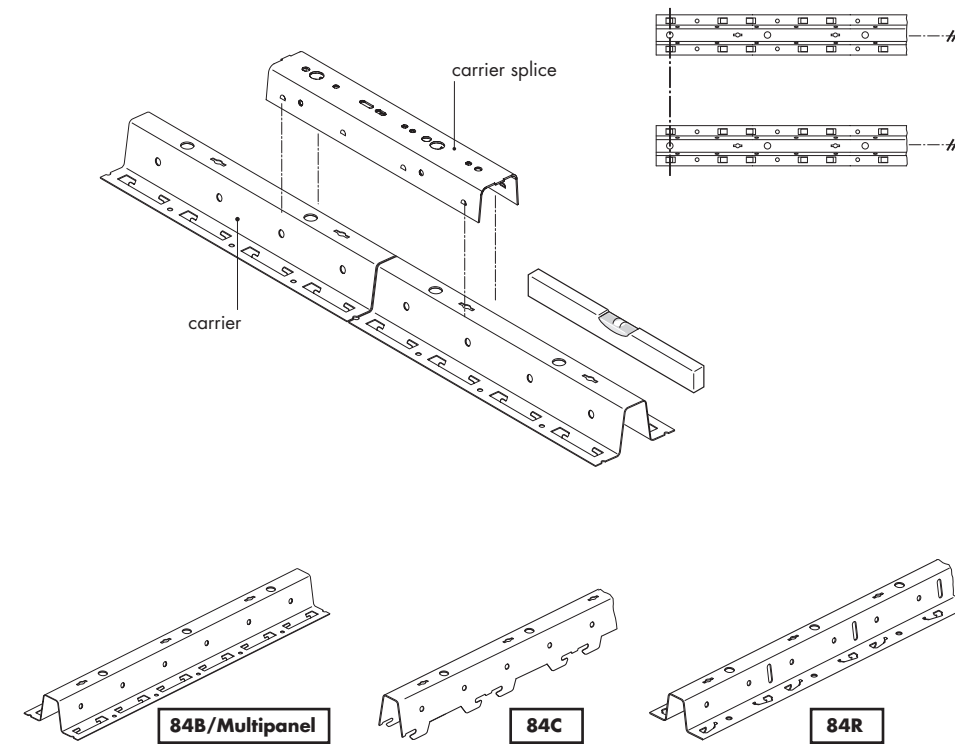
Installing the hangers



	GB	NL	F	D	E
①	hanger	afhanger	suspente	Schnell-abhänger	suspensione
A	height reference	hoogtemaat	référence de hauteur	Höhenbezug	referencia de altura

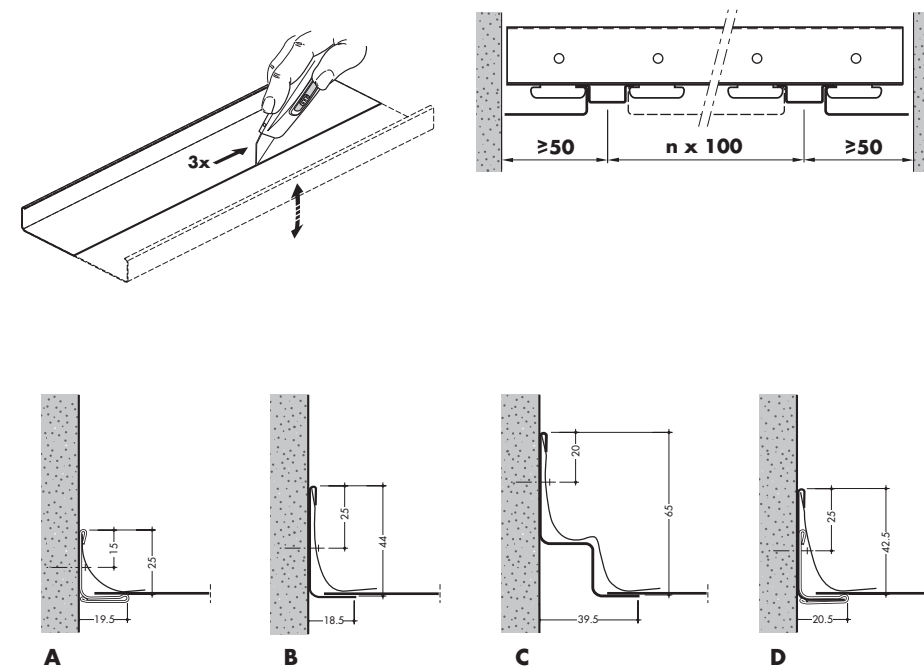
3

Installing the carriers



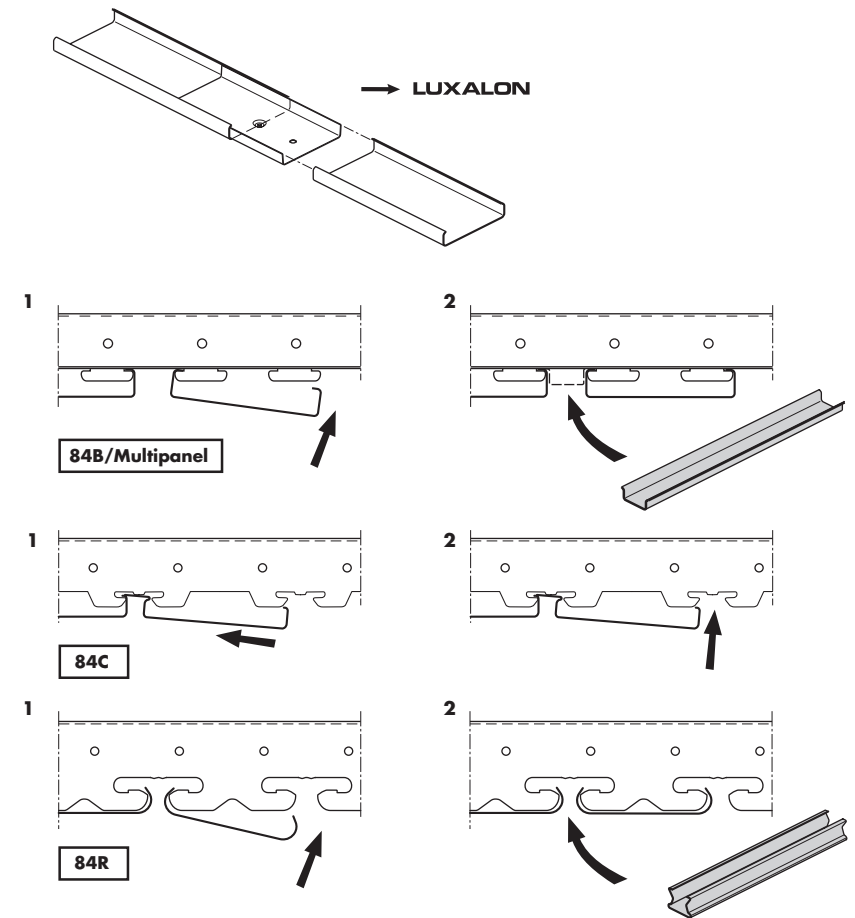
4

Installing the adaptor panels



5

Installing the panels



ATTENTION!

To avoid fingerprints and damages, always wear (white) cotton **gloves** when handling the panels.

Make sure that:

- Cut-outs in the panels for spots and other installations are made before installing the panels.
- The directional arrows on the backside of the panels always point in the same direction.