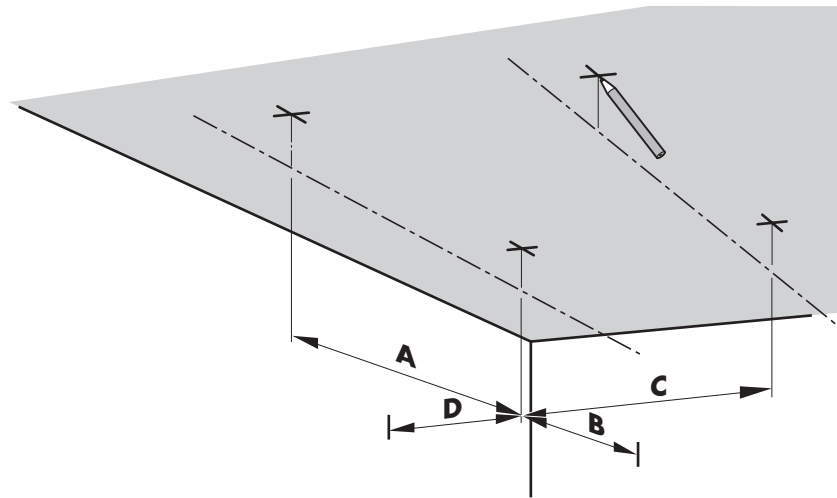


1

Marking suspension points

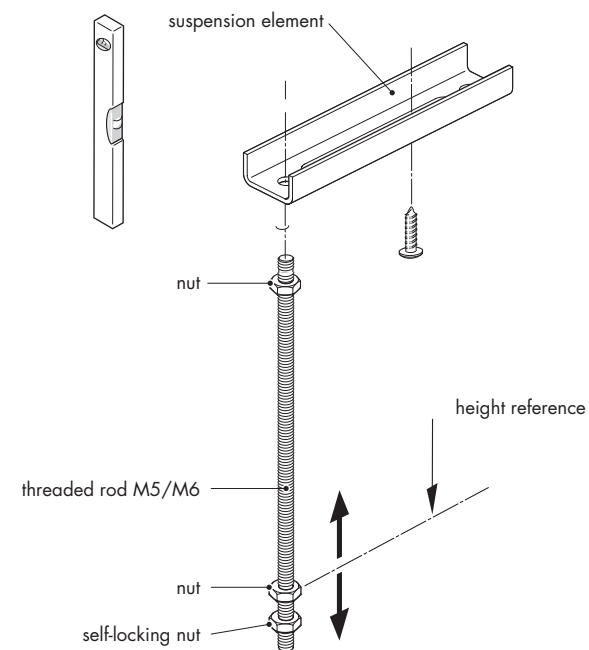


Panel type	Max. carrier span		Max. panel span	
	A	B	C	D
70U	750 *	300	1500 *	150

For sporthal applications please consult our technical documentation.

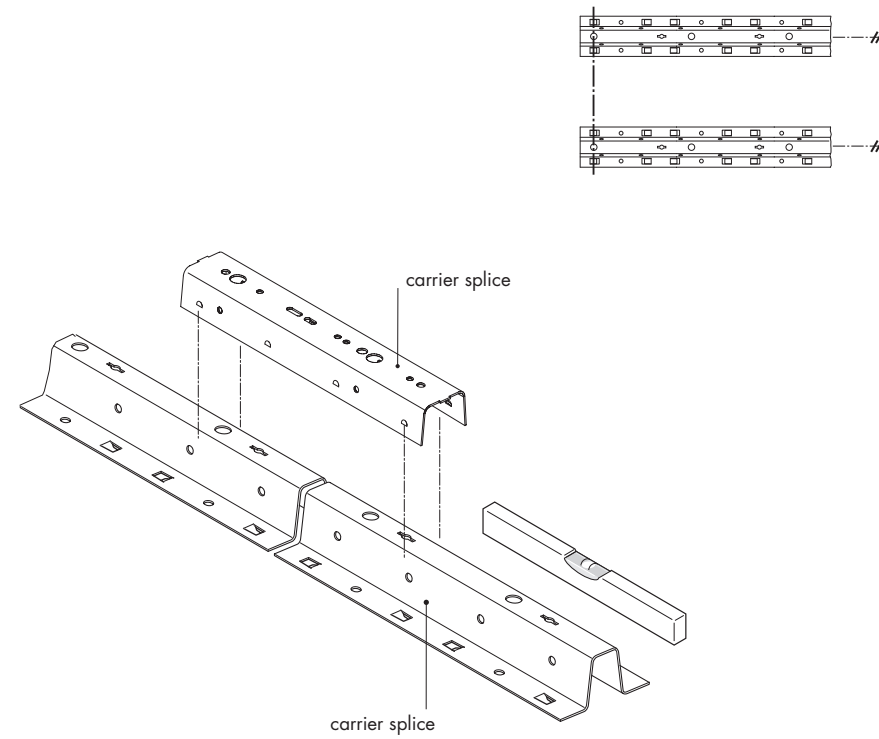
2

Installing the hangers



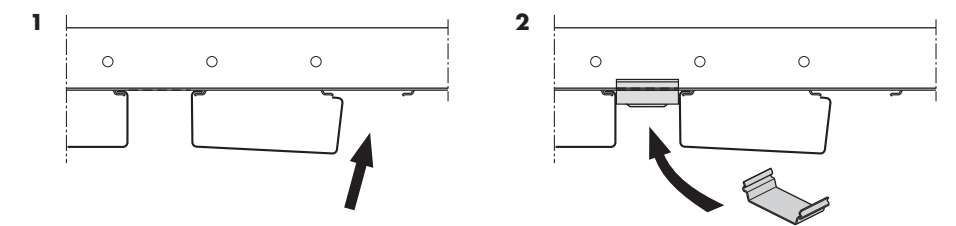
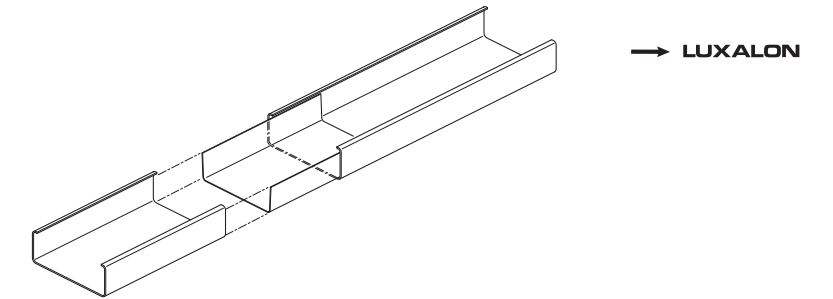
3

Installing the carriers



5

Installing the panels



ATTENTION!

To avoid fingerprints and damages, always wear (white) cotton **gloves** when handling the panels.

Make sure that:

- Cut-outs in the panels for spots and other installations are made before installing the panels.
- The directional arrows on the backside of the panels always point in the same direction.

4

Installing the adaptor panels

