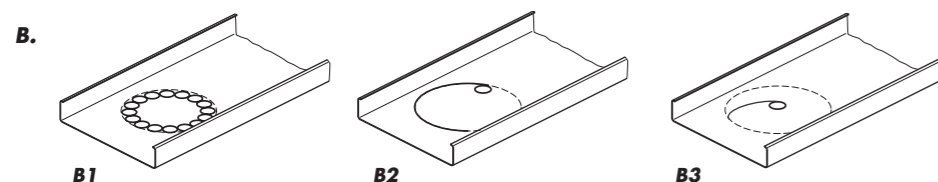
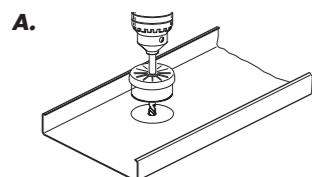
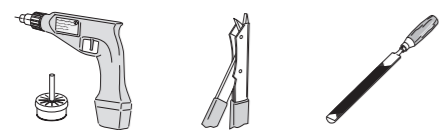


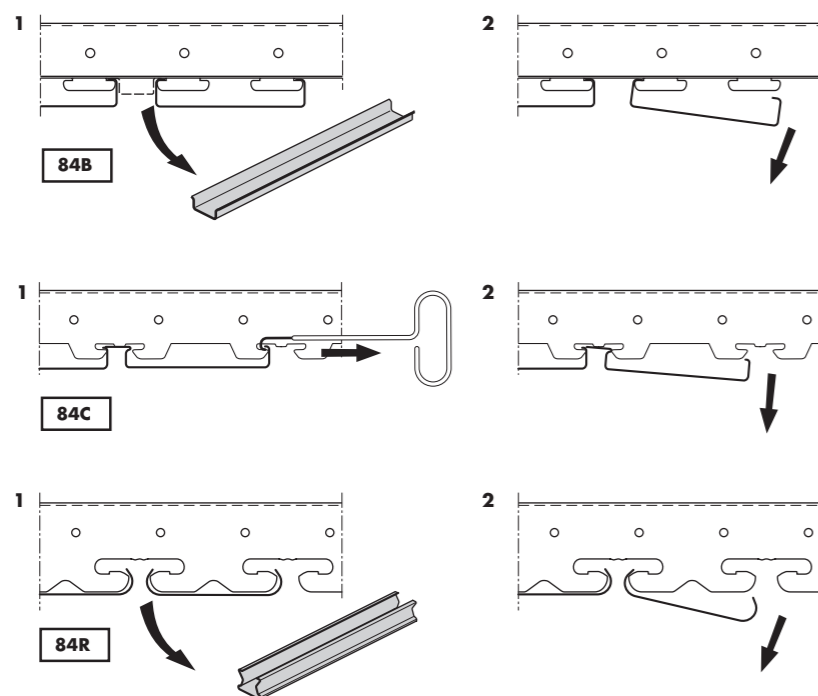
6

Cut-outs



7

Demounting



While demounting the panel make sure to support the part of the panel that has already been removed from the carriers.



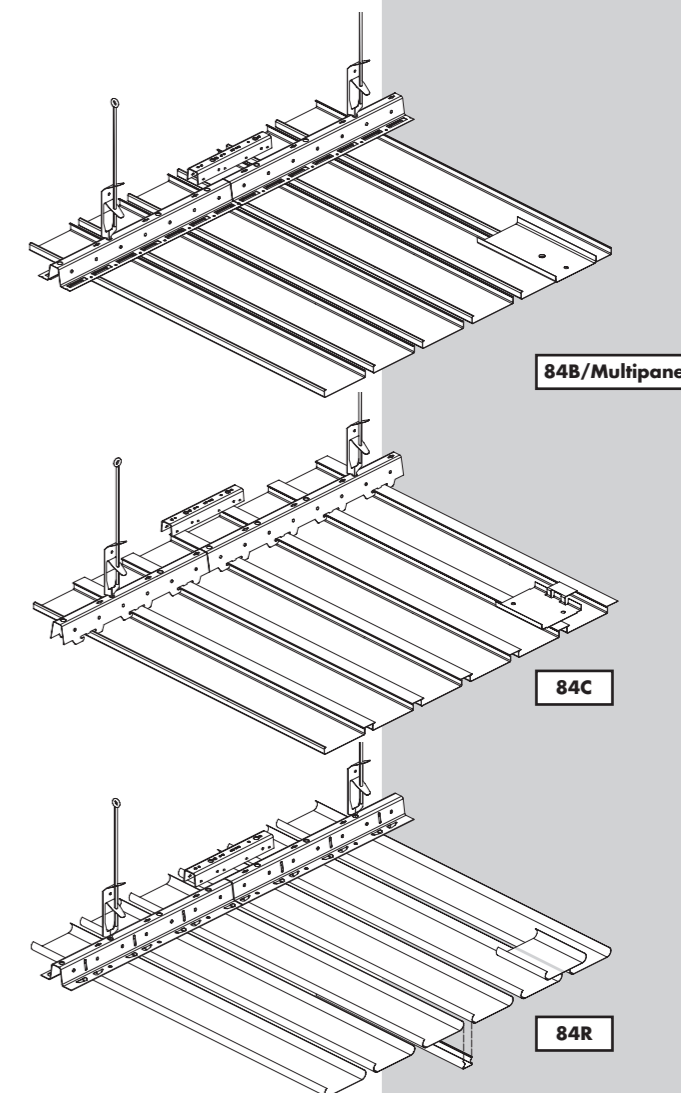
Maintenance

Luxalon® Ceilings are, by utilising high quality materials and extensively tested coatings, easy to maintain. When cleaning is required, it is advised to use a slightly damp, non-linting and non-abrasive cloth. A mild neutral (pH=7) cleaning agent may be used if necessary. Never use aggressive cleaning agents since they will cause damage to the panels. Before cleaning the ceiling always try the chosen method of cleaning on a non-visible part of the panel.

Ventilation

When using a Luxalon® Ceiling in rooms with higher humidity levels it is important always to use aluminium panels and carriers and to ensure that the rooms are ventilated properly.

Luxalon® Linear ceiling 84B-84C-84R-Multipanel



LUXALON®
ARCHITECTURAL PRODUCTS

www.luxalon.com

We have endeavoured to design these instructions to assist a trained ceiling professional with the mounting and installation of a Luxalon® ceiling. We accept no responsibility for poor workmanship, failure to comply with these instructions, improper installation or installation by someone other than a trained ceiling professional.

LUXALON®
ARCHITECTURAL PRODUCTS