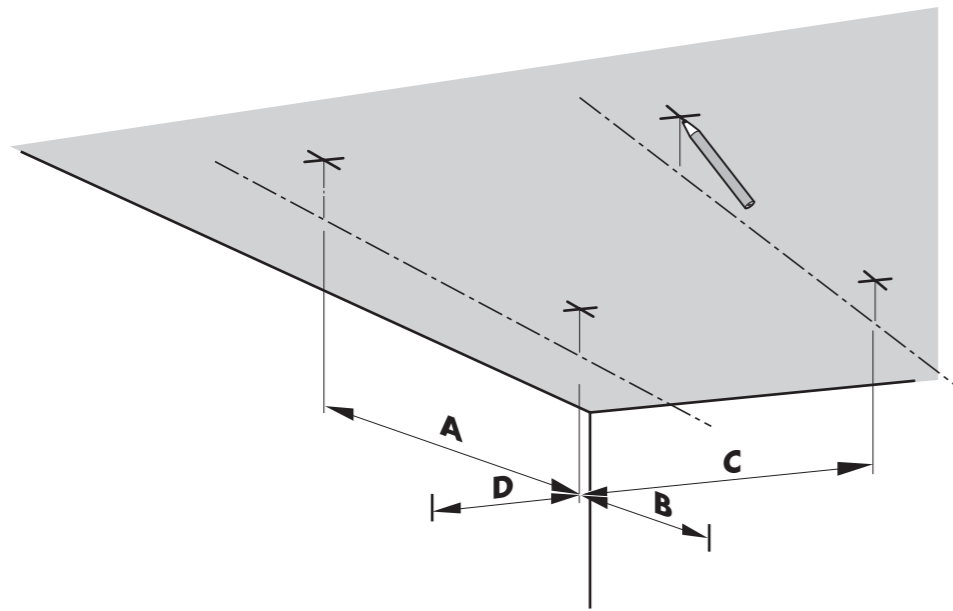


1

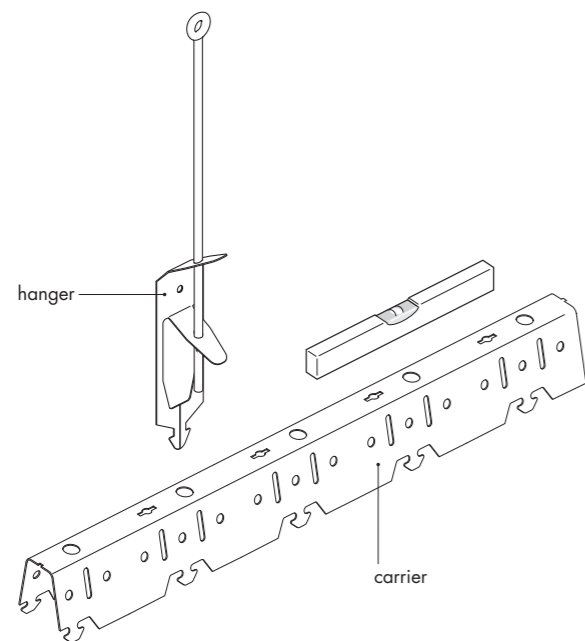
Marking suspension points



Panel type	Max. carrier span		Max. panel span	
	A	B	C	D
75C	1700	300	1250	150
150C	1700	300	1000	150
225C	1700	300	1000	150

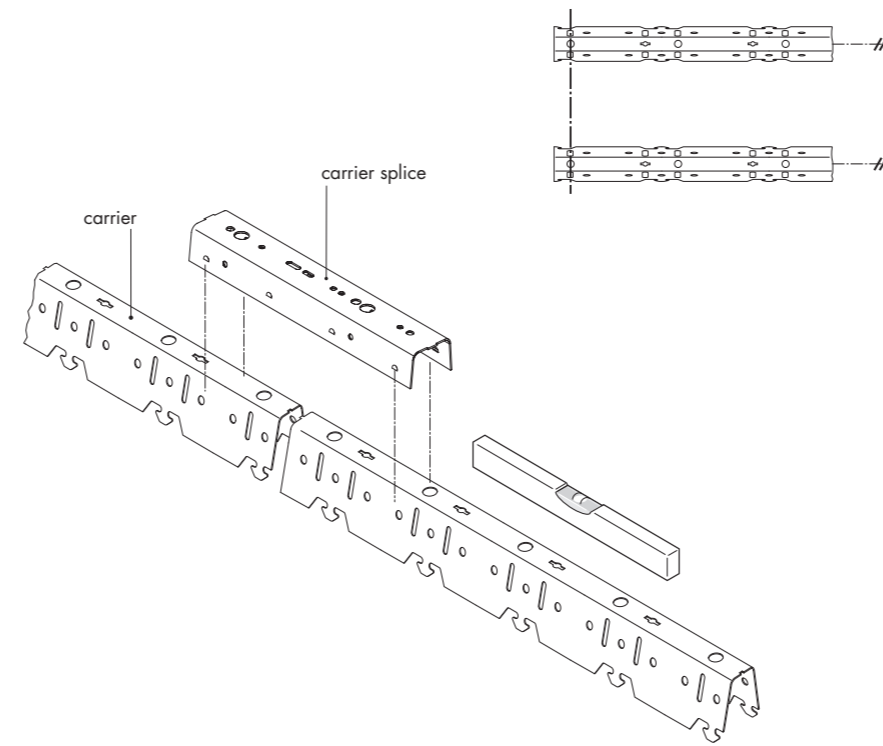
2

Installing the hangers



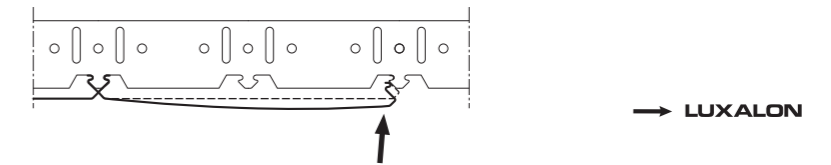
3

Installing the carriers



5

Installing the panels



ATTENTION!

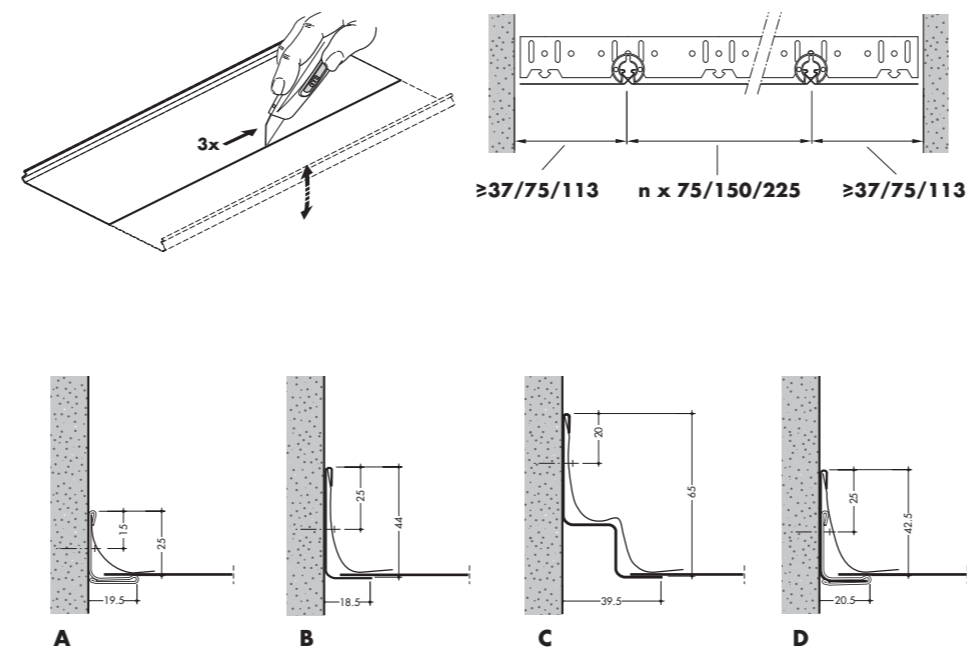
To avoid fingerprints and damages, always wear (white) cotton **gloves** when handling the panels.

Make sure that:

- Cut-outs in the panels for spots and other installations are made before installing the panels.
- The directional arrows on the backside of the panels always point in the same direction.

4

Installing the adaptor panels (panel side)



6

Edge trim possibilities (panel ends)

