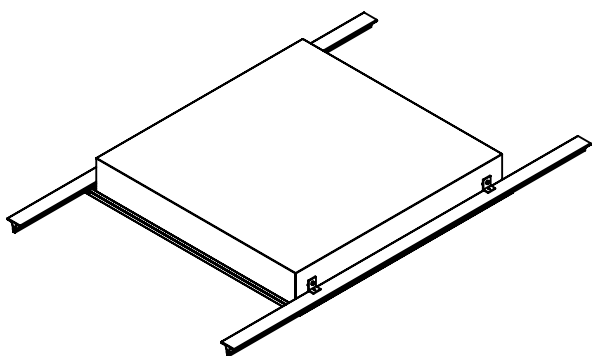
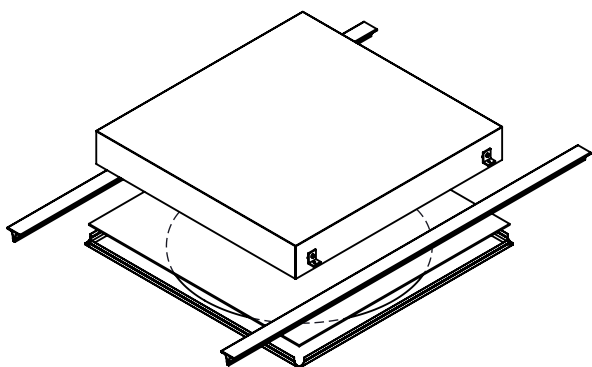
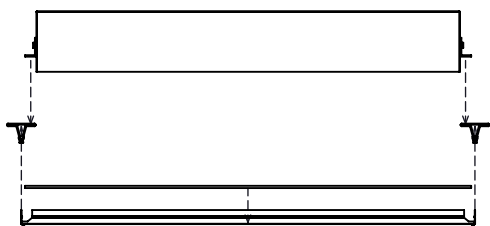


# Mounting instructions Circle/Square

## C-construction



## A/E-construction

