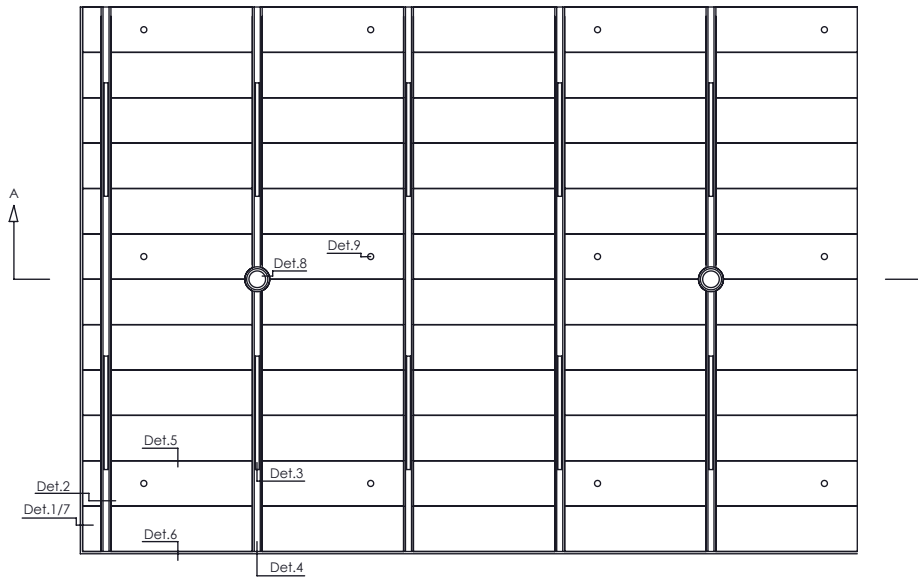
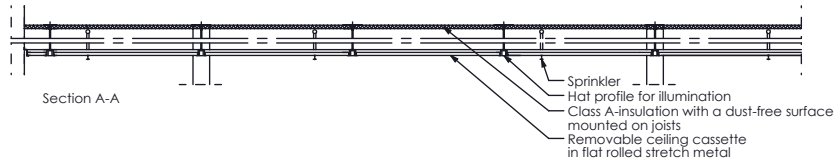
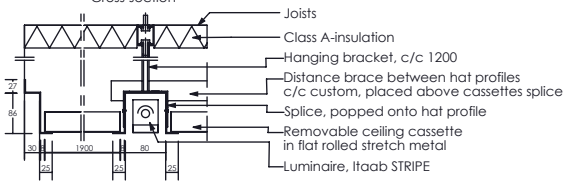


# Itaab System 200A



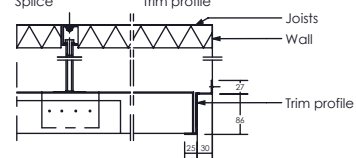
Detail 1  
Trim profile

Detail 2  
Hat profile  
Cross-section



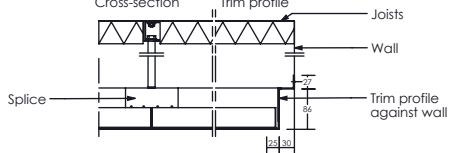
Detail 3  
Hat profile  
Splice

Detail 4  
Hat profile at the wall  
Trim profile

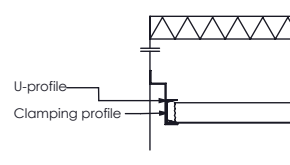


Detail 5  
Cassettes  
Cross-section

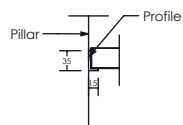
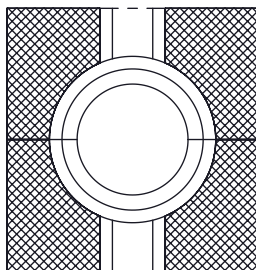
Detail 6  
Cassettes at the wall  
Trim profile



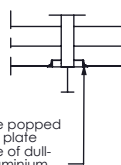
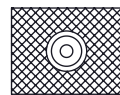
Detail 7  
Cut cassette to the wall



Detail 8  
Connection to pillar

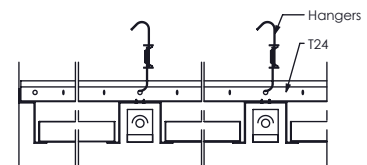


Detail 9  
Hole for sprinkler head



## Alternative suspension

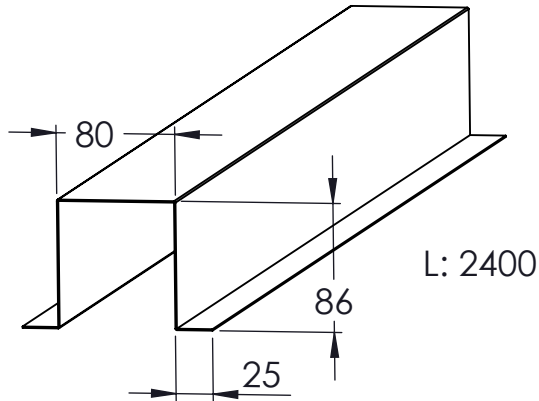
Hat profile is screwed directly into the T24 profile to be hung on adjustable hangers



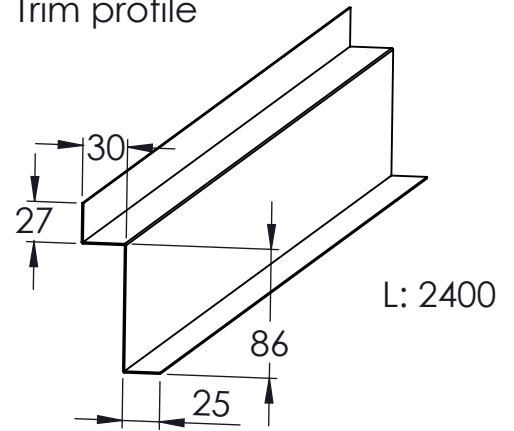
# Itaab System 200A

## Included details

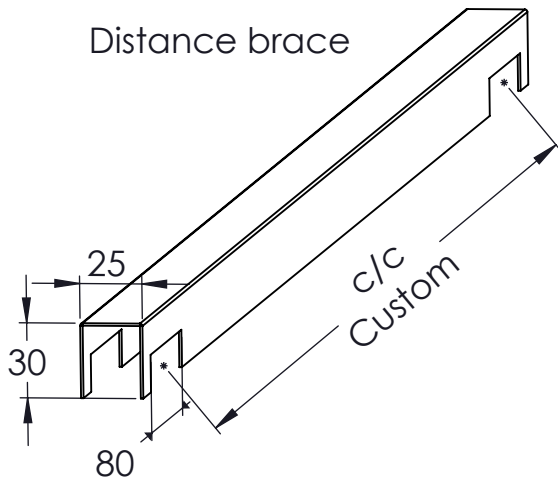
Hat profile



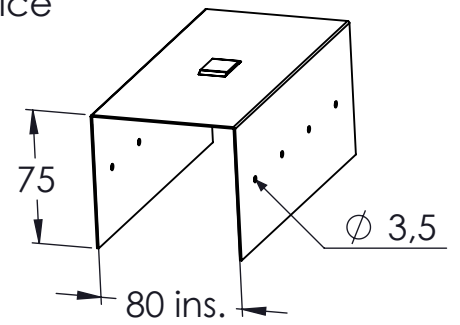
Trim profile



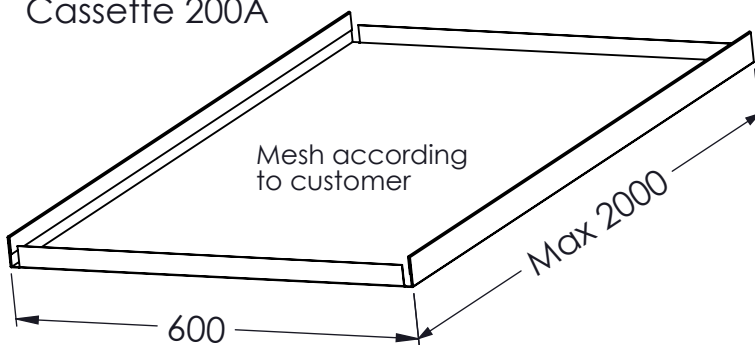
Distance brace



Splice



Cassette 200A



Hanging bracket

