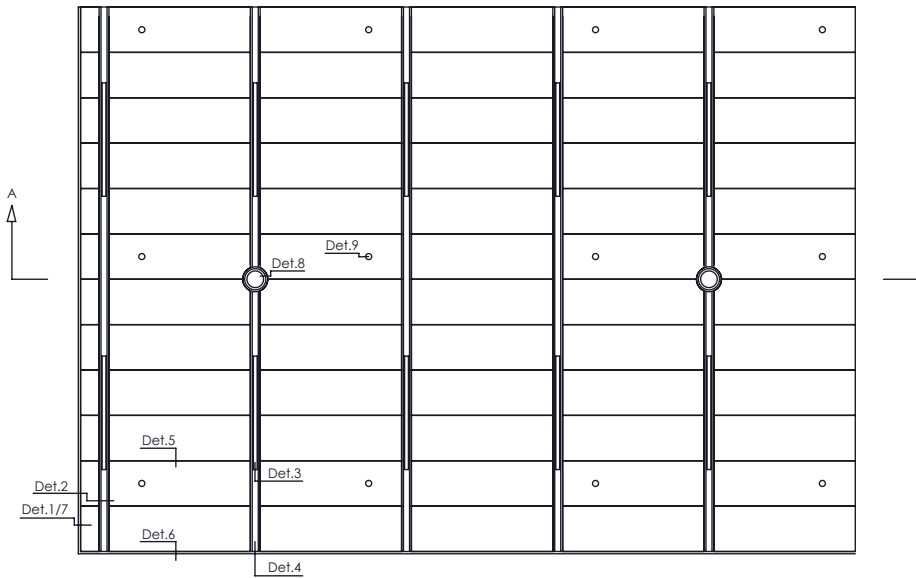
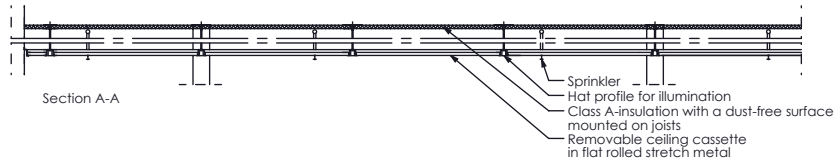
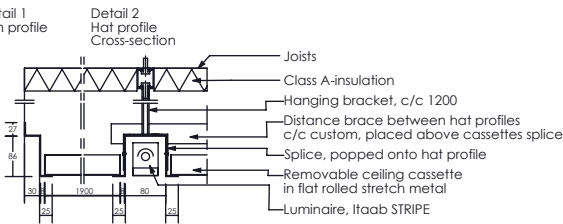


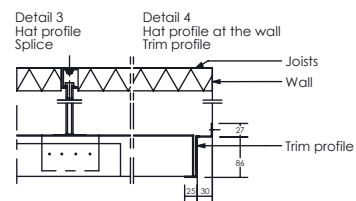
Itaab System 200A



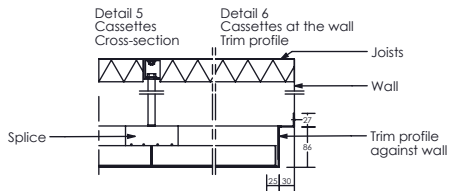
Detail 1
Trim profile



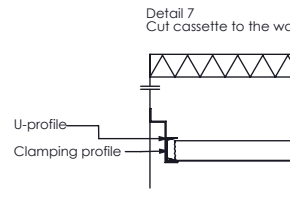
Detail 3
Hat profile
Splice



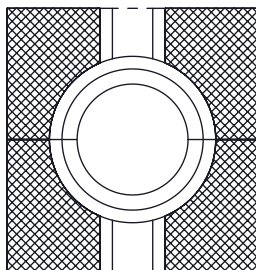
Detail 5
Cassettes
Cross-section



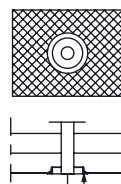
Detail 7
Cut cassette to the wall



Detail 8
Connection to pillar

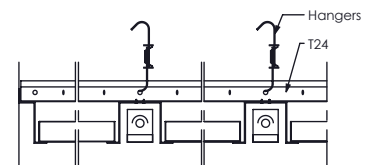


Detail 9
Hole for sprinkler head



Alternative suspension

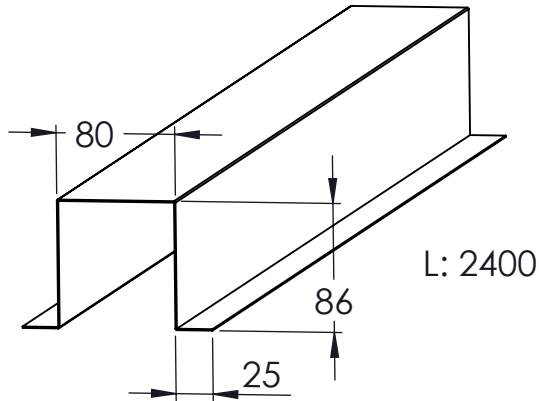
Hat profile is screwed directly into the T24 profile to be hung on adjustable hangers



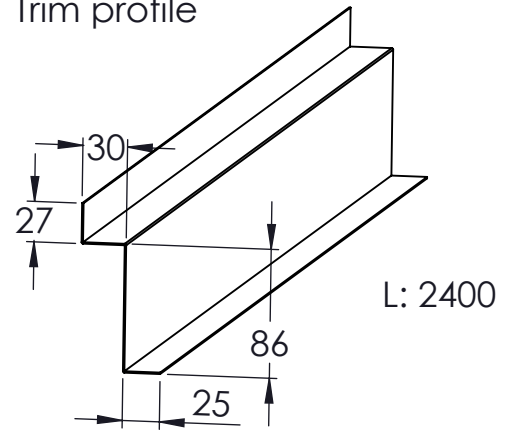
Itaab System 200A

Included details

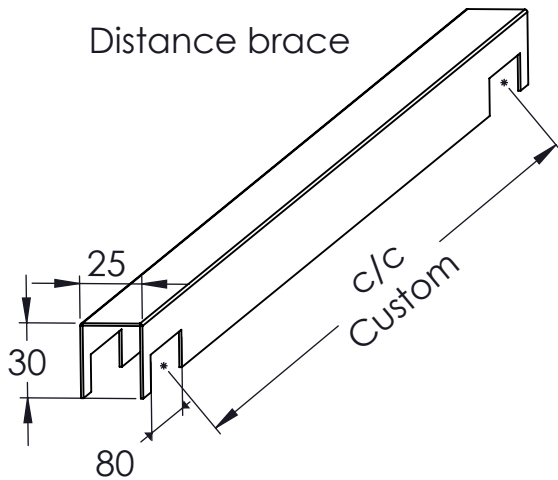
Hat profile



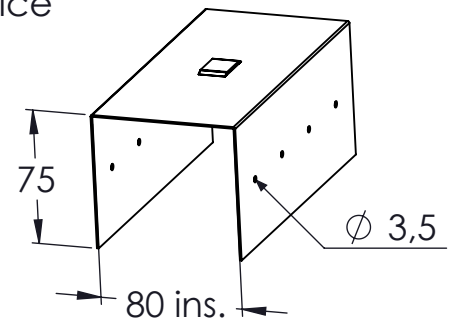
Trim profile



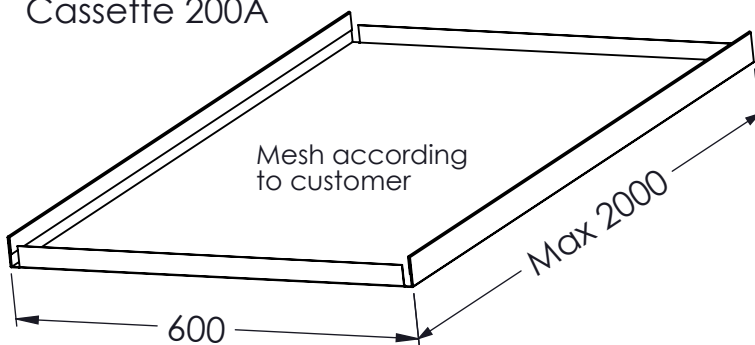
Distance brace



Splice



Cassette 200A



Hanging bracket

