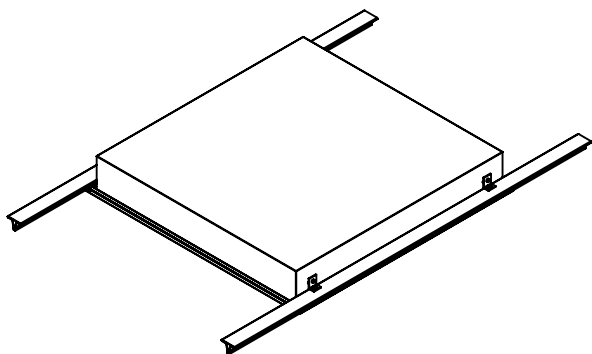
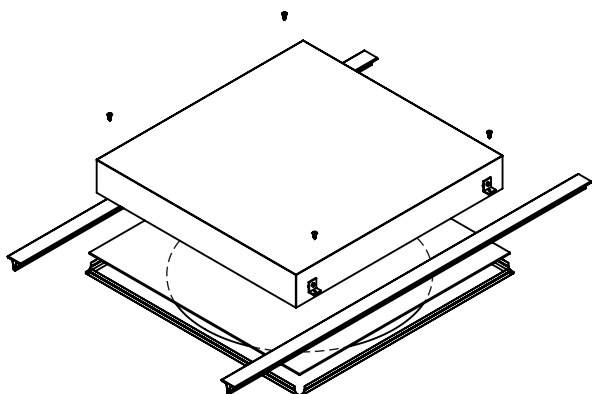
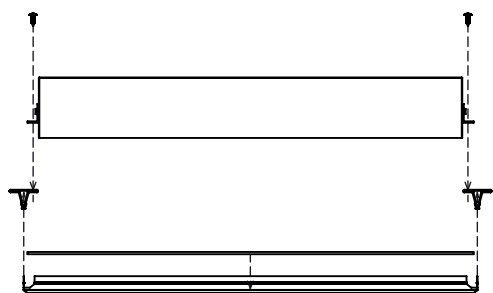


# Mounting instructions Dot/Square

---

## C-construction



## A/E-construction

