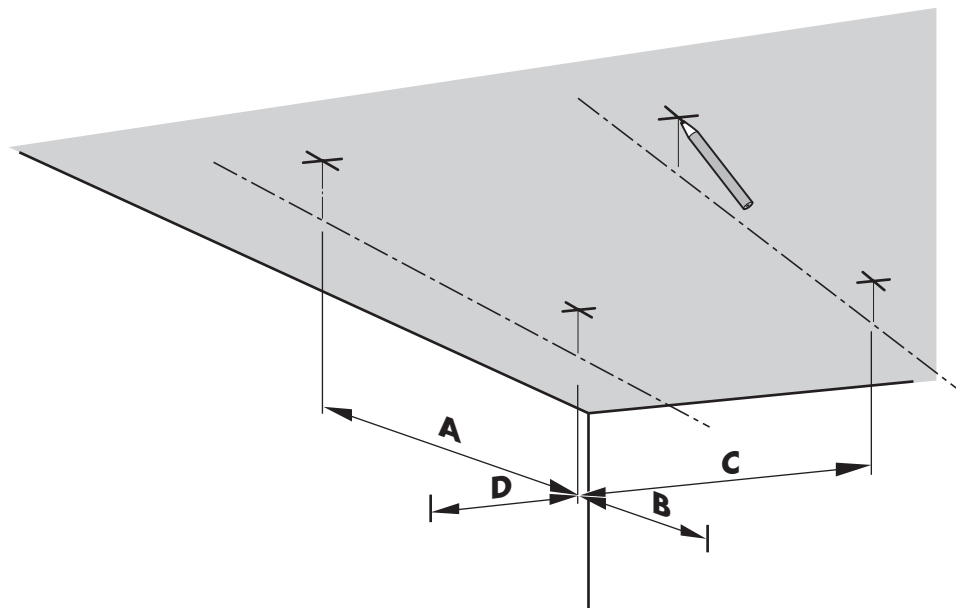


# 1

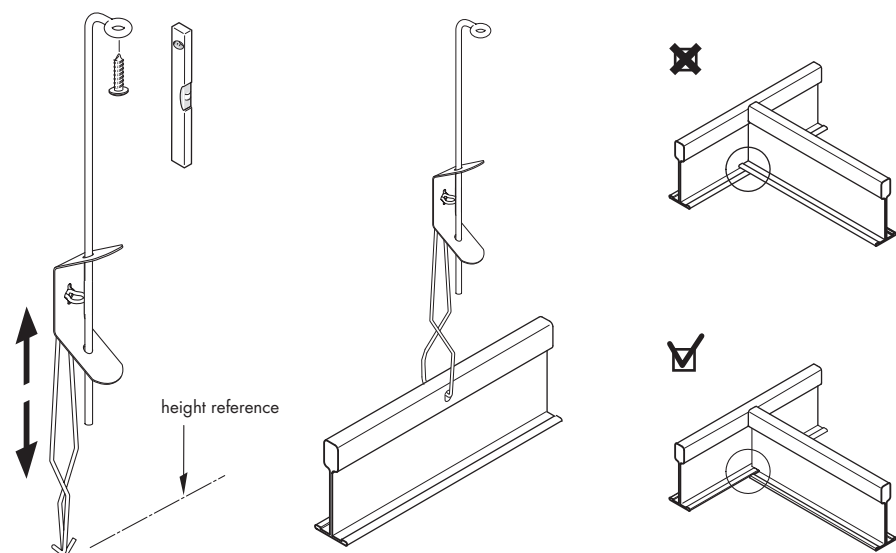
## Marking suspension points



Type	Carrier span		Panel span	
	A	B	C	D
Cell T15	1200	300	600/1200	300
Unigrid	1200	300	600/1200	300

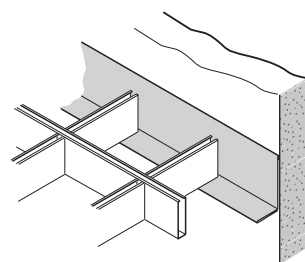
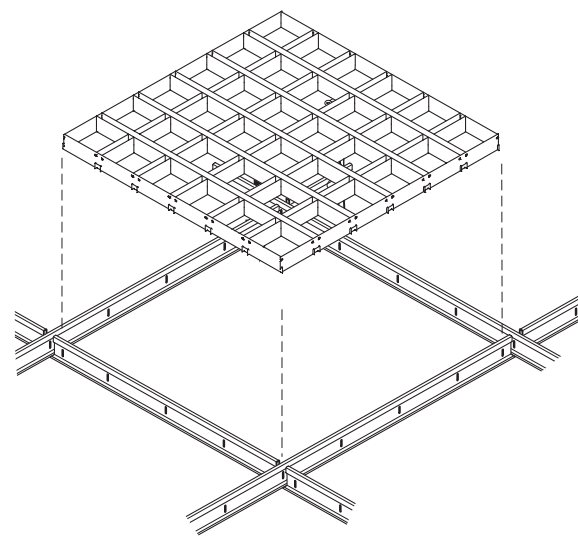
# 2

## Installing the carriers

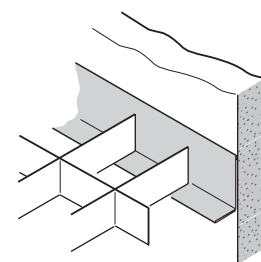


# 3

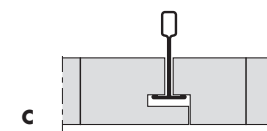
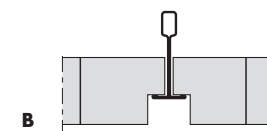
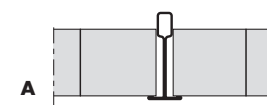
## Installing the tiles



T15



Unigrid



T15

Unigrid

### ATTENTION!

To avoid fingerprints and damages, always wear (white) cotton **gloves** when handling the panels.  
 Make sure that:  
 - Cut-outs in the panels for spots and other installations are made before installing the panels.