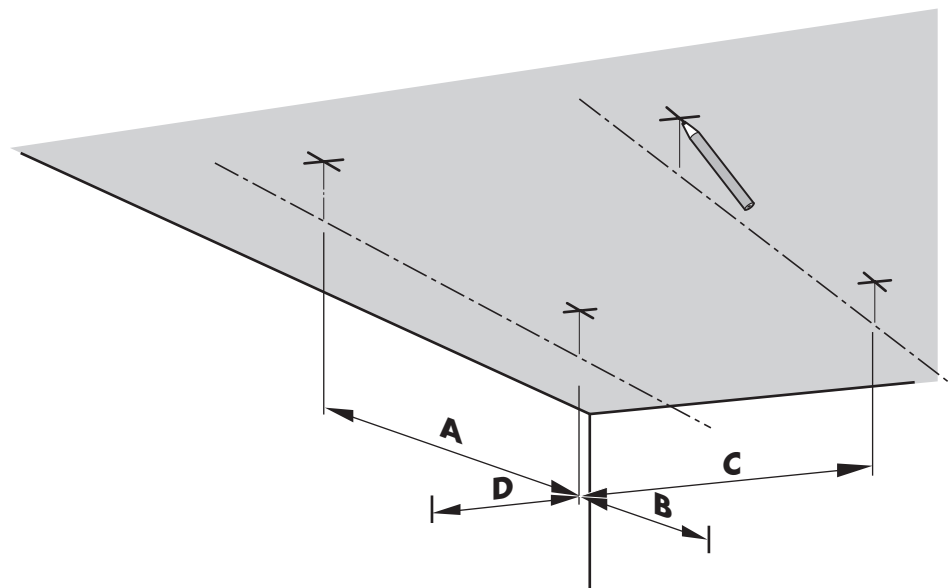


1

Marking suspension points

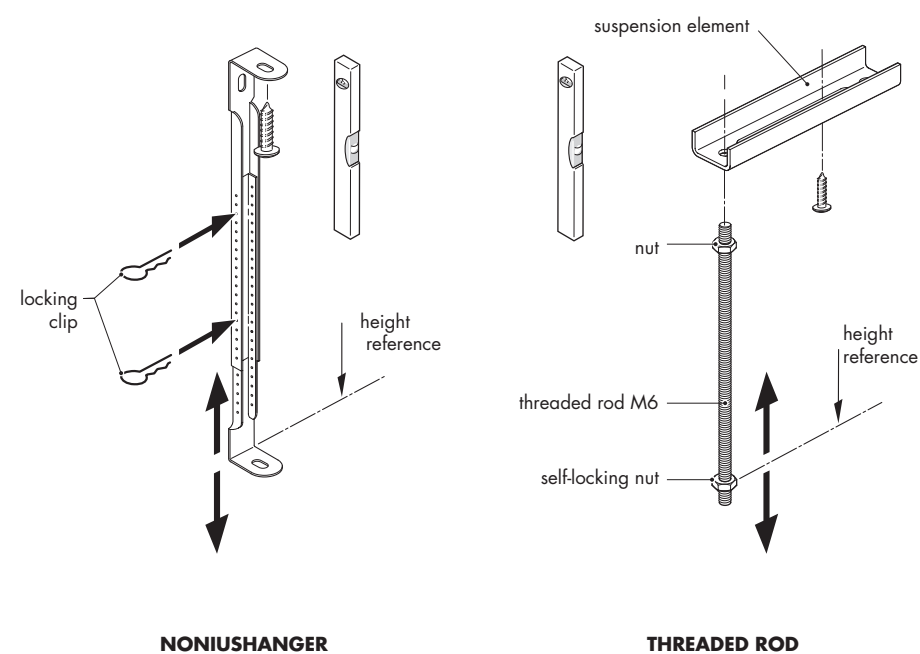


Carrier type	Max. carrier span		Max. panel span	
	A	B	C	D
	V100 2 fixings / 3 or > fixings	V200 2 fixings / 3 or > fixings	V100/V200	
M100	1700/2000	1450/1700	2100	600
M150	1850/2200	1600/1900	2100	600
M200	2000/2350	1750/2050	2100	600
SLIDING	1700*	1700*	1500	500

* with continuous cross members max. every 2500mm

2

Installing the hangers

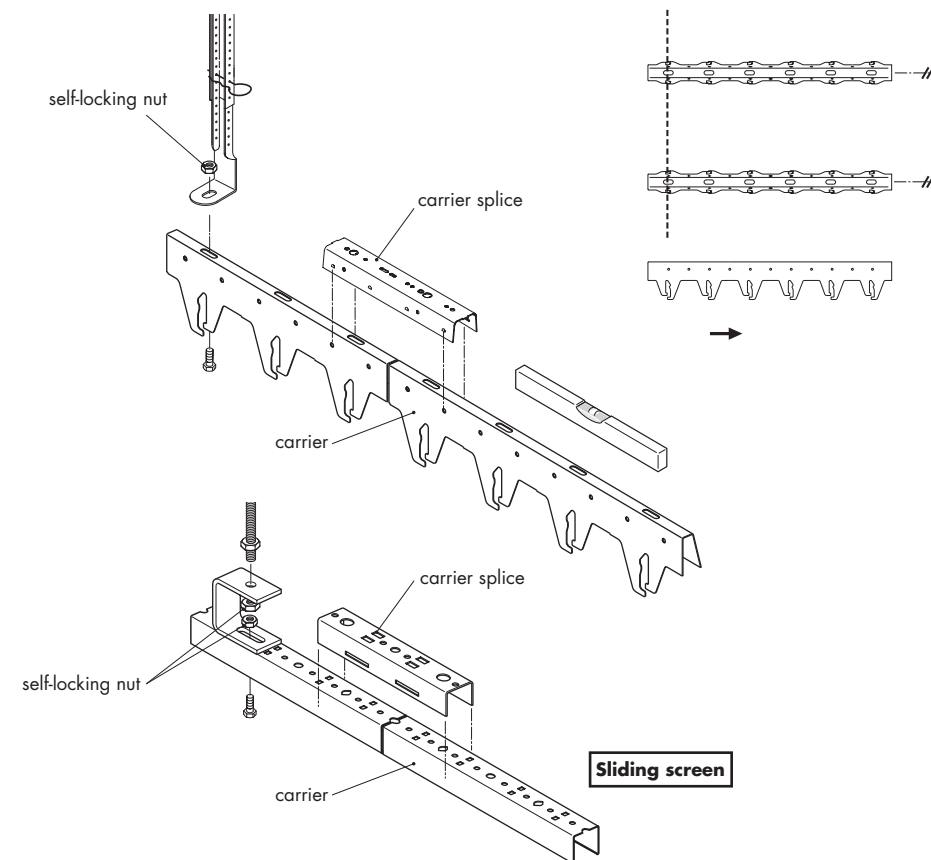


NONIUSHANGER

THREADED ROD

3

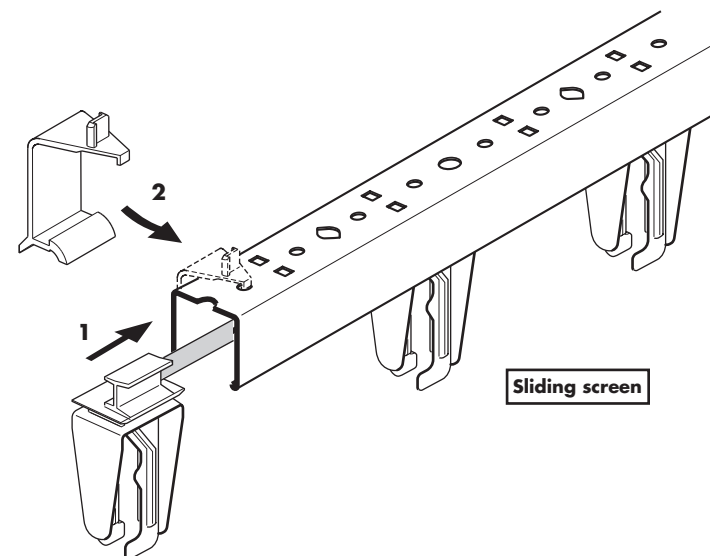
Installing the carriers



Sliding screen

4

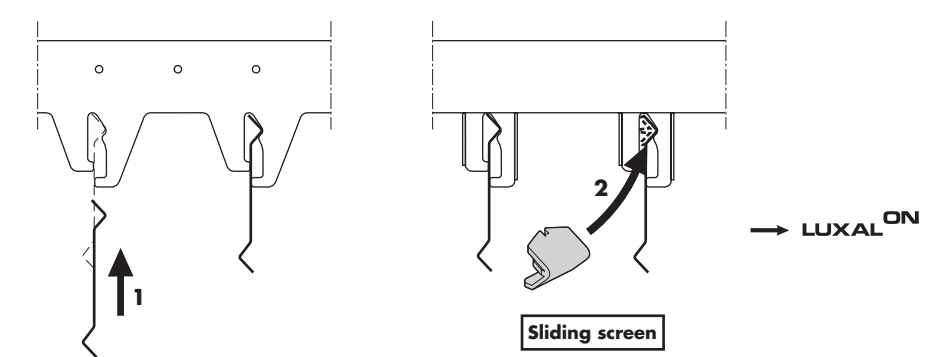
Montage van de paneelhouders



Sliding screen

5

Installing the panels



ATTENTION!

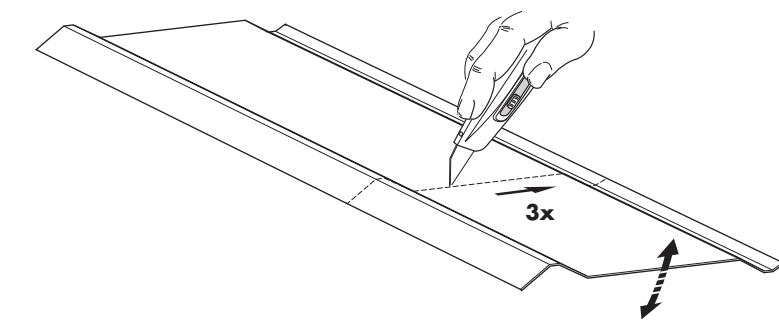
To avoid fingerprints and damages, always wear (white) cotton **gloves** when handling the panels.

Make sure that:

- Cut-outs in the panels for spots and other installations are made before installing the panels.
- The directional arrows on the backside of the panels always point in the same direction.

6

Cutting the panels



3x