



# HeartFelt® Origami Ceiling System

## PRODUCT CHARACTERISTICS:

- Great acoustic performance
- Five different grey tones
- Available in 5 different dimensions
- Easy installation and low risk for damages
- Easily reusable or 100% recyclable
- Cradle to Cradle Certified™ Bronze
- Easy to maintain: dirt and dust resistant
- Swing-down system for easy acces

[www.hunterdouglasarchitectural.eu](http://www.hunterdouglasarchitectural.eu)

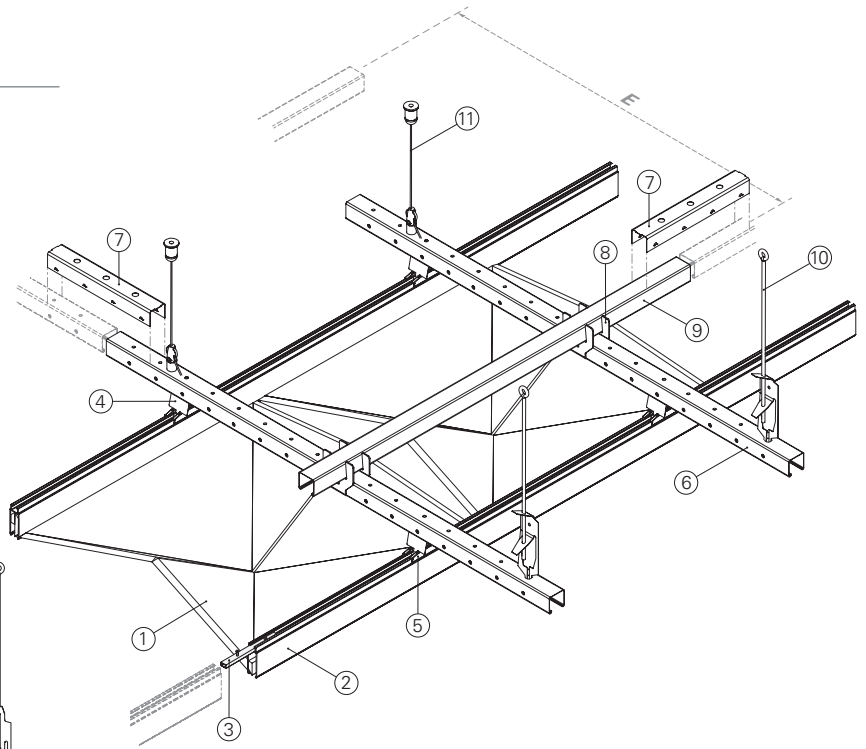
© Registered trademark - a HunterDouglas® product

Project : Visualisation, The Netherlands  
Product: HeartFelt® Origami panels

**HunterDouglas**   
Architectural

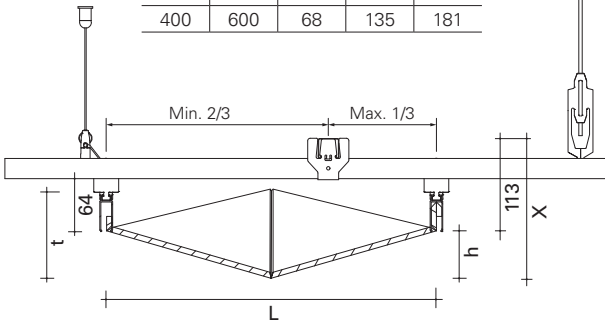
## SYSTEM OVERVIEW

- 1 = Origami tile
- 2 = Mounting profile
- 3 = Mounting profile splice
- 4 = Mounting clip
- 5 = Locking clip
- 6 = Carrier
- 7 = Carrier splice
- 8 = Stabilisation bracket
- 9 = Stabilisation profile
- 10 = Quick hanger
- 11 = Wire hanger

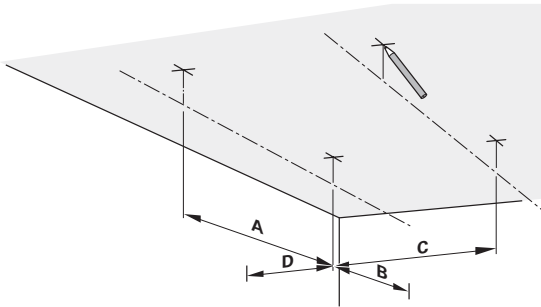


## PROFILE

L	w	h	t	X
400	400	57	111	170
600	600	86	165	199
600	400	68	127	181
900	600	102	187	215
400	600	68	135	181



## MAXIMUM SPAN



Panel	Maximum Carrier span		Maximum Profile span		Max. stabilisation profile distance
	A	B	C	D	E
Origami	1200	250	1500	300	2400

## MATERIAL PROPERTIES

- Material: non-woven, thermo formable PES-fibers
- Fire retardant: class B-s1,d0 EN 13501-1
- Weight: 2.2 - 2.7 kg/m<sup>2</sup>
- Light reflection: depending on colour
- Exposure class: A and B EN 13964

## CERTIFICATIONS

- Indoor Air Comfort Gold
- French VOC-regulation class A+
- Cradle to Cradle™ Level Bronze
- Oeko-tex Standard 100 class IV
- SundaHus Miljødata class A

Cradle to Cradle Certified™ is a certification mark licensed by the Cradle to Cradle Products Innovation Institute.



## ACOUSTICS - $\alpha_w$

### Origami panel 600HO600

Module (mm)	Joint (mm)	Openness %	$\alpha_w$
M600	Closed	7.61	0.80

### Origami panel 400HO600

Module (mm)	Joint (mm)	Openness %	$\alpha_w$
M400	Closed	4.84	0.80

### Origami panel 600HO400

Module (mm)	Joint (mm)	Openness %	$\alpha_w$
M600	Closed	10.29	0.75(H)

### Origami panel 900HO600

Module (mm)	Joint (mm)	Openness %	$\alpha_w$
M600	Closed	10.29	0.75(H)

# HunterDouglas

## Architectural

### Hunter Douglas Architectural

Piekstraat 2  
 P.O. Box 5072 - 3008 AB Rotterdam - The Netherlands  
 Tel. +31 (0)10 - 486 99 11  
 info@hunterdouglasarchitectural.eu  
 www.hunterdouglasarchitectural.eu